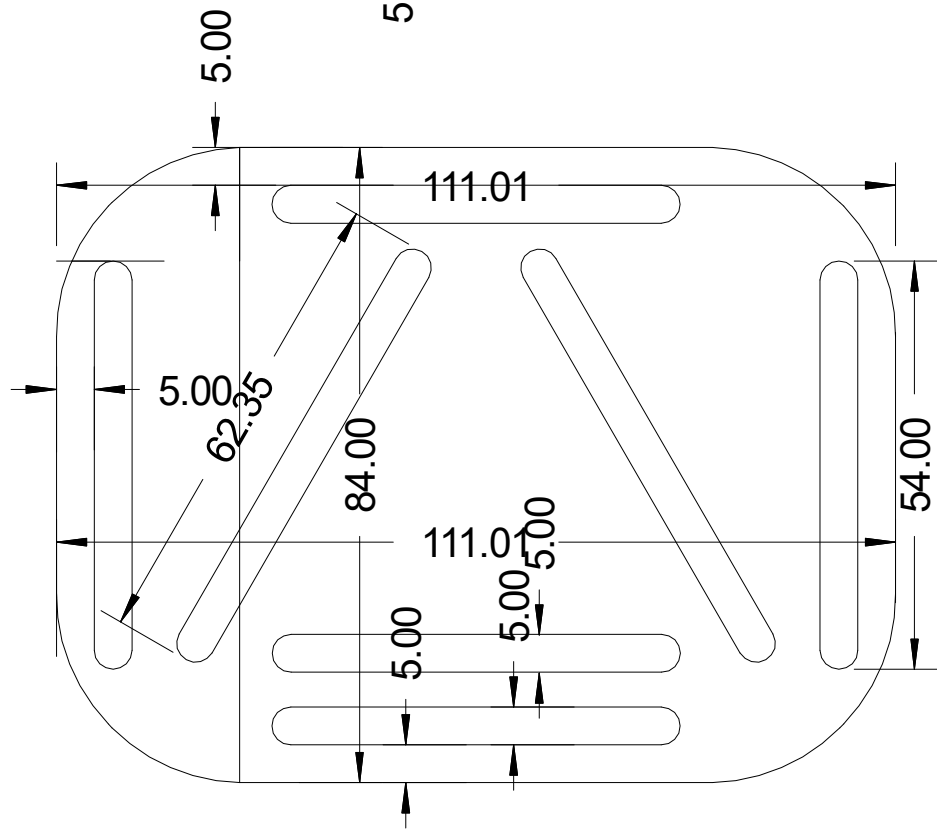


Bungee holes



| | | | |
|-------------------------------------|-------------------------------|----------------------------------|--------------------|
| TDS Technical Diving Systems | gez. HRK | 07.09.95 rev.1 05.05.18 rev.5 | M 1:1 |
| Sidemount harness backplates | Toleranzen: +/- 0.1 mm | | Einheit: mm |
| Material: Alu 4 mm | | | |